

MXL-INST
Rev 7
04/2016



MX06 - MX100 OVAL GEAR FLOWMETER SERIES

INSTRUCTION MANUAL



To the Owner

Please read and retain this instruction manual to assist you in the operation and maintenance of this product.

This manual contains connection and operating instructions for the MX series Flow Meters with Pulse outputs.

Models with a Liquid Crystal Display have an additional LCD instruction manual supplied. If you need further assistance, contact your local representative or distributor for advice.

This Flow Meter has incorporated the oval gear principal into its design. This is proven to be a reliable and highly accurate method of measuring flow. Exceptional repeatability and high accuracy over a wide range of fluid viscosities and flow rates are features of the oval gear design.

With a low pressure drop and high pressure rating oval gear flow meters are suitable for both gravity and (in-line) pump applications.

Macnaught offer a comprehensive set web based support materials to compliment this instruction manual. Access the website by scanning the QR code below.



WWW.MACNAUGHT.COM.AU

Installation

Pre-installation checks	Page 3
Operating Principle	Page 3
Installation Procedure	Page 3

Maintenance Procedure

Disassembly	Page 4
Reassembly	Page 4

Flowmeter Specifications

Flowmeter Specifications	Page 5-8
Wiring Diagram - Standard Pulsar	Page 9
Wiring Diagram - PCB sensor	Page 10
Wiring Diagram - High Temp Sensor (-HT)	Page 11

Service

Troubleshooting Guide	Page 12
Exploded Diagrams	Page 13-14
Meter Cap Torques	Page 15
Spare Parts Kits	Page 15-17
Wetted Parts	Page 18-21

General

Pressure Drop Graphs	Page 22
Dimensional Diagrams	Page 23-31

IMPORTANT INFORMATION



FLUID COMPATABILITY

Before use, confirm the fluid to be used is compatible with the meter. Refer to Industry fluid compatibility charts or consult your local representative for advice.



STRAINER

To prevent damage from dirt or foreign matter it is recommended that a Y or Basket type mesh strainer be installed as close as possible to the inlet side of the meter.

When a strainer is installed it should be regularly inspected and cleaned. Failure to keep the strainer clean will dramatically effect flow meter performance.

Contact your local representative for advice.



AIR PURGE / LINE PRESSURE

To prevent damage caused by air purge slowly fill the meter with fluid.

To reduce pressure build-up turn off the at the end of each day.



REED SWITCH

The reed switch can cause inaccurate rate counts when used with high speed counters. It is advised that a low speed counter is used or alternatively a debounce circuit be installed.

OPERATING PRINCIPLE

Fluid passing through the meter causes the rotors to turn, as shown below.

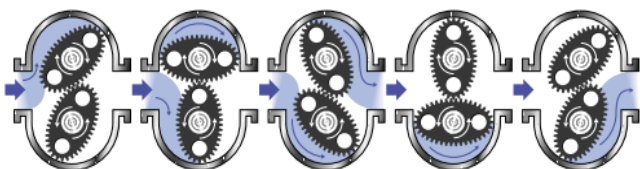
One of the rotors (the active rotor) is fitted with magnets.

The passing of the magnets are picked up by the sensing elements (Reed and Hall Effect sensors) located in the Pulser Circuit Board.

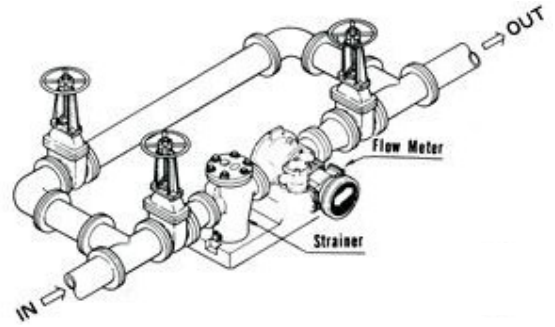
The excitation of these switches provides a 'Raw Pulse Output' which relates to the K-Factor.

(e.g. KF 36 = 36 pulses per litre of fluid passed)

This Pulse Output Signal can either be fed directly to an external receiving element (e.g. Data Logger or PLC) or alternatively to an LC Display which conditions the Pulse input signal to display volume of fluid passed. (e.g. Display 1 Litre per for every 36 pulses)



INSTALLATION PROCEDURE



1. It is recommended that when setting up pipe work for meter installations, a bypass line be included in the design. This provides the facility for a meter to be removed for maintenance without interrupting production. (see figure above)
2. Use a thread sealant on all pipe threads.
Caution: Thread tape must not enter flowmeter, stopping flow meters operation.
3. For pump applications ensure pipe work and Meter have the appropriate working pressure rating to match the pressure output of the pump. Refer to Meter Specifications section for further details.
4. Install a wire mesh strainer, Y or basket type as close as possible to the inlet side of the meter.
Meter 1/4" 74 micron / 200 mesh
Meter 1/2" - 2" 250 micron / 60 mesh
Meter 3" - 4" 400 micron / 40 mesh
5. Note: The Flowmeter can accept flow in any direction.
6. The meter can be installed in any orientation as long as the meter shafts are in a horizontal plane. (Refer to diagram below for correct installation)

Note: Incorrect installation can cause premature wear of meter components.
The orientation of the LC display can be changed



- by loosening the 4 mounting screws.
7. Do not over tighten meter connections.
8. **It is important that after initial installation you fill the line slowly, high speed air purge could cause damage to the rotors.**
9. Test the system for leaks.
10. Check the strainer for swarf or foreign material, after the first 200 litres check periodically, particularly if the flow rate is noted to be decreasing.

MAINTENANCE PROCEDURE

DISASSEMBLY

Note: Maintenance can be carried out to the liquid crystal displays and pulse output modules without having to remove or isolate the meter from the process line.

When maintenance to any other part of the meter is required, the meter must be isolated and the line pressure released.

Refer to the *exploded parts* diagram on (see Fig for item numbers).

Note: It is advisable to mark all components with a marker pen before disassembly, to ensure all the components are replaced to their correct position during the reassembly process.

1. Remove the meter cap by loosening the bolts on the underside of the meter body. (see FIG 1)
2. Remove the O-Ring from the O-Ring groove in the meter cap.
Wipe clean of grease and store in clean place
3. Remove rotors from the meter body
4. Remove the shafts from the meter body.

REASSEMBLY

1. Before reassembling check the condition of the rotors (replace if necessary).
2. Replace the shafts into the meter body.
3. There are two Rotor Types. **Active** and **Neutral**.
The *Active Rotor* is fitted with the magnets. They can be identified by running a metal object over the face of the rotor (smooth side)

Caution: The active rotor is always fitted nearest 'dimple' on the meter body (see FIG 3)

Replace Active Rotor.

Check the smooth side of the rotor is the *leading* face when fitting onto the shaft and into the meter body. (see Fig 2).

Replace Neutral Rotor. Check that the smooth side of the rotor is the leading face when fitting onto the shaft. (see FIG 2)

Fit the neutral rotor onto the shafts ensuring that the rotor pair are at 90 degrees to one another. (see FIG 3)

Check their operation by turning either of the rotors. If the rotors are not in mesh correctly, or do not move freely, remove one of the rotors and replace correctly at 90 degrees to one another.

4. Smear the O-Ring with a light film of grease.
Replace the O-Ring into groove in the meter cap.
The O-Ring will need to be replaced if it has grown or is damaged in anyway.
5. Replace the meter cap.
6. Insert the cap head screws and tighten in a diagonal sequence 1, 5, 7, 3, etc.
(see **Meter Torque Ratings**, page 15)
7. Test the meter by turning the rotors with a finger or by applying very low air pressure (no more than a good breath) to one end of the meter, before returning the meter to service.

FIG 1



FIG 2

Rotor Face
Smooth side

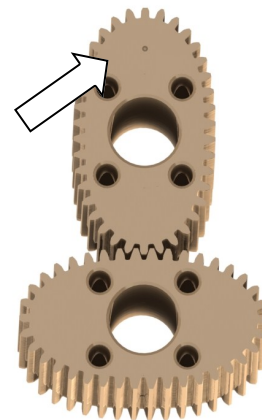
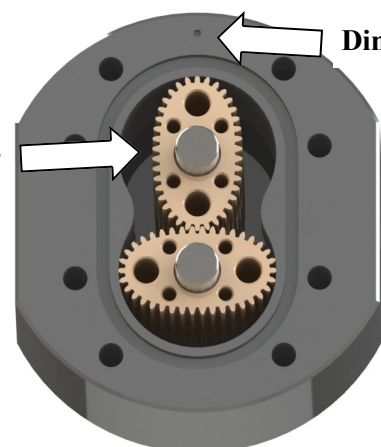


FIG 3

Active Rotor

Dimple



FLOWMETER SPECIFICATIONS

series MX06		Metric	US
Flow Range	Below 5 cP	2 to 100 LPH	0.5 to 26 GPH
	5 to 1000 cP	0.5 to 100 LPH	0.13 to 26.4 GPH
K-Factor	(Sensor Pulses per Unit of Measure)	Refer to Flowmeter Data Plate	
Max Temperature	(model MX06F)	-20°C - 80°C	-4°F - 176°F
	(models MX06S)	-40°C - 120°C	-40°F - 248°F
	(models MX06P)	-40°C - 150°C	-40°F - 302°F
Maximum Operating Pressure ¹		6895 kPa	1000 psi
Accuracy of Reading		±0.5% (0.25% available with reduced range)	

1. Conforms to Directive 97/23/EC—Cat 1

series MX09		Metric	US
Flow Range	Below 5 cP	25 to 500 LPH	6.6 to 132 GPH
	5 to 1000 cP	15 to 500 LPH	4 to 132 GPH
K-Factor	(Sensor Pulses per Unit of Measure)	Refer to Flowmeter Data Plate	
Max Temperature	(model MX09F)	-20°C - 80°C	-4°F - 176°F
	(models MX09S)	-40°C - 120°C	-40°F - 248°F
	(models MX09P)	-40°C - 150°C	-40°F - 302°F
Maximum Operating Pressure ¹		6895 kPa	1000 psi
Accuracy of Reading		±0.5% (0.25% available with reduced range)	

1. Conforms to Directive 97/23/EC—Cat 1

series MX12		Metric	US
Flow Range	Below 5 cP	3 to 25 LPM	0.8 to 6.6 GPM
	5 to 1000 cP	2 to 30 LPM	0.5 to 8 GPM
K-Factor	(Sensor Pulses per Unit of Measure)	Refer to Flowmeter Data Plate	
Max Temperature	(model MX12F)	-20°C - 80°C	-4°F - 176°F
	(models MX12S)	-40°C - 120°C	-40°F - 248°F
	(models MX12P)	-40°C - 150°C	-40°F - 302°F
Maximum Operating Pressure ¹		13790 kPa	2000 psi
Accuracy of Reading		±0.5% (0.25% available with reduced range)	

1. Conforms to Directive 97/23/EC—Cat 1

FLOWMETER SPECIFICATIONS

series MX19		Metric	US
Flow Range	Below 5 cP	8 to 70 LPM	2 to 18.5 GPM
	5 to 1000 cP	3 to 80 LPM	0.8 to 21 GPM
K-Factor	(Sensor Pulses per Unit of Measure)	Refer to Flowmeter Data Plate	
Max Temperature	(model MX19F)	-20°C - 80°C	-4°F - 176°F
	(model MX19S)	-40°C - 120°C	-40°F - 248°F
	(models MX19P)	-40°C - 150°C	-40°F - 302°F
Maximum Operating Pressure ¹		13790 kPa	2000 psi
Accuracy of Reading		±0.5% (0.25% available with reduced range)	

1. Conforms to Directive 97/23/EC—Cat 1

series MX25		Metric	US
Flow Range	Below 5 cP	10 to 100 LPM	2.6 to 26 GPM
	5 to 1000 cP	6 to 120 LPM	1.6 to 32 GPM
K-Factor	(Sensor Pulses per Unit of Measure)	Refer to Flowmeter Data Plate	
Max Temperature	(model MX25F)	-20°C - 80°C	-4°F - 176°F
	(model MX25S)	-40°C - 120°C	-40°F - 248°F
	(models MX25P)	-40°C - 150°C	-40°F - 302°F
Maximum Operating Pressure ¹		13790 kPa	2000 psi
Accuracy of Reading		±0.5% (0.25% available with reduced range)	

1. Conforms to Directive 97/23/EC—Cat 1

series MX40		Metric	US
Flow Range	Below 5 cP	15 to 235 LPM	4 to 62 GPM
	5 to 1000 cP	10 to 250 LPM	2.6 to 66 GPM
K-Factor	(Sensor Pulses per Unit of Measure)	Refer to Flowmeter Data Plate	
Max Temperature	(model MX40F)	-20°C - 80°C	-4°F - 176°F
	(model MX40S)	-40°C - 120°C	-40°F - 248°F
	(models MX40P)	-40°C - 150°C	-40°F - 302°F
Maximum Operating Pressure ¹		10342 kPa	1500 psi
Accuracy of Reading		±0.5% (0.25% available with reduced range)	

1. Conforms to Directive 97/23/EC—Cat 1

FLOWMETER SPECIFICATIONS

series MX50		Metric	US
Flow Range	Below 5 cP	15 to 500 LPM	4 to 130 GPM
	5 to 1000 cP	15 to 500 LPM	4 to 130 GPM
K-Factor	(Sensor Pulses per Unit of Measure)	6.7 pulses/L	25.36 pulses/G
Max Temperature	(model MX50F)	-20°C - 80°C	-4°F - 176°F
	(models MX50S)	-40°C - 120°C	-40°F - 248°F
	(models MX50P)	-40°C - 150°C	-40°F - 302°F
Maximum Operating Pressure ¹		8274 kPa	1200 psi
Accuracy of Reading		±0.5% (0.25% available with reduced range)	

1. Conforms to Directive 97/23/EC—Cat 1

series MX75		Metric	US
Flow Range	Below 5 cP	60 to 600 LPM	17 to 170 GPM
	5 to 1000 cP	20 to 733 LPM	5 to 194 GPM
K-Factor	(Sensor Pulses per Unit of Measure)	Refer to Flowmeter Data Plate	
Max Temperature	(model MX75F)	-20°C - 120°C	-4°F - 248°F
	(model MX75S)	-40°C - 120°C	-40°C - 248°F
	(models MX75P)	-40°C - 150°C	-40°F - 302°F
Maximum Operating Pressure ¹		1200 kPa	175 psi
Accuracy of Reading		±0.5% (0.25% available with reduced range)	

1. Conforms to Directive 97/23/EC—Cat 1

series MX100		Metric	US
Flow Range	Below 5 cP	220 to 1000 LPM	60 to 250 GPM
	5 to 1000 cP	120 to 1200 LPM	30 to 300 GPM
K-Factor	(Sensor Pulses per Unit of Measure)	Refer to Flowmeter Data Plate	
Max Temperature	(model MX100F)	-20°C - 120°C	-4°F - 248°F
	(model MX100S)	-40°C - 120°C	-40°C - 248°F
Maximum Operating Pressure ¹		1200 kPa	175 psi
Accuracy of Reading		±0.5% (0.25% available with reduced range)	

1. Conforms to Directive 97/23/EC—Cat 1

FLOWMETER SPECIFICATIONS

High Viscosity Applications

Ensure the Flowmeter is fitted with 'High Viscosity Rotors' if the fluid being metered is 1000 cP or above

High Viscosity Rotors	For Fluids above 1000 Centipoise (cP)
-----------------------	---------------------------------------

DIGITAL DISPLAYS

The MX Flow meter series is supplied with either a Compact Pulser and Digital Display option. Please note the wiring diagrams in the following pages are for the **Compact Pulser Output Modules** and the **PCB** (Sensor Board), which is responsible for providing a Raw Pulse input to the LC display

If the Flow meter is supplied with an LC Display fitted, please consult the appropriate Instruction Manual, as advised below, for all programming and wiring instructions.

Output option:	type 'D'	type 'E'	type 'F'	type "G"	type "H"	
Display Type :	PR	PRA	ER	ERA	ERB	ERS (<i>remote mount only</i>)
Display Part Number:	MXD-DS	MXD-ES	MXD-ES	MXD-GS	MXD-HS	ERS-RMP / ERS-RMA
Instruction Sheet:	DR013	DR014	MS574	MS392	MS476	MS351

Analogue Output (4-20mA)

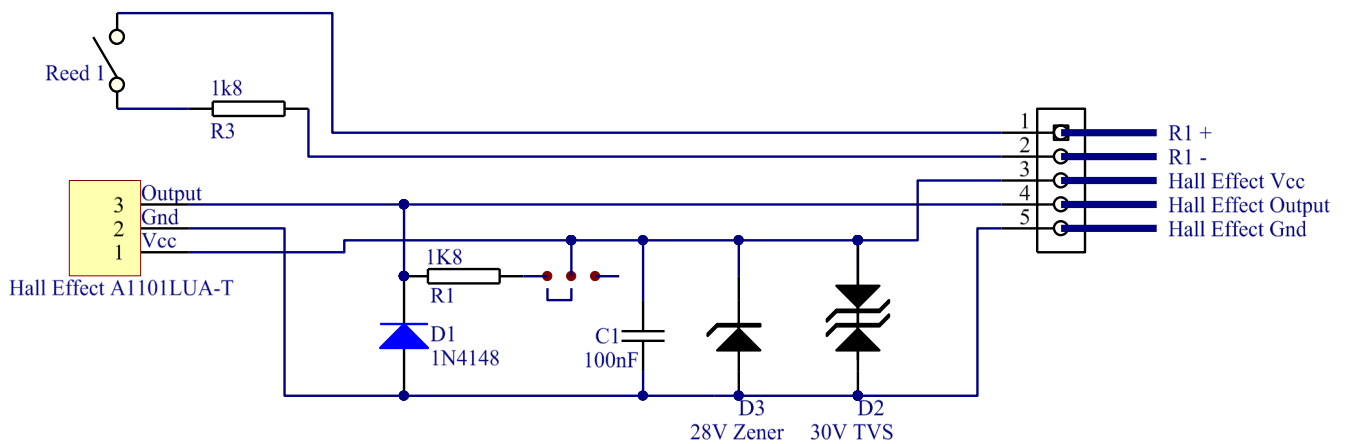
Analogue outputs are available as an auxiliary display signal by including either of the following LC displays with your flowmeter. These may be fitted to the meter or remote (wall mount) types.

Output Type E	PRA	12mm LC Display with analogue output module
Output Type G	ERA	17mm LC Display with analogue output module

Pulser Specifications

Output Signals	Standard Pulse Meter		2x Digital (Square Wave)
Reed Switch (Mechanical Sensor)	Current	Maximum	500mA
	Voltage	Maximum	30V DC
	Contact Rating	Maximum ¹	10W
Hall Effect IC (Electronic Sensor)	Maximum Supply Current		7.5mA
	Maximum Output Current		25mA
	Operating Voltage		4.5V to 24V DC
	Transistor Type		Open-Collector NPN

1. Contact rating maximum is 10W. Neither current nor voltage maximums should be exceeded in achieving this.





Reed Switch

To maximise the life of the reed switch contacts, the pulse board comes equipped with a 1k8Ω current limiting resistor in series with the reed switch as standard. These resistors are user swappable should you require a different value for your system.



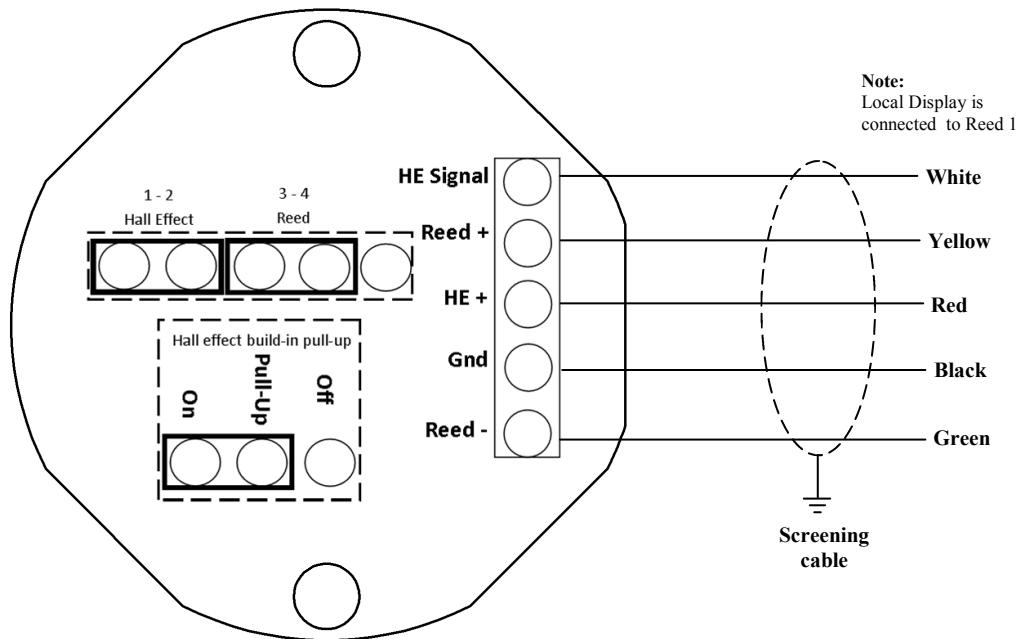
NPN Open Collector Hall Effect Sensor

The output for the hall effect sensor is NPN (current sinking, open collector). For correct operation, it is advisable to have a pull-up resistor installed.

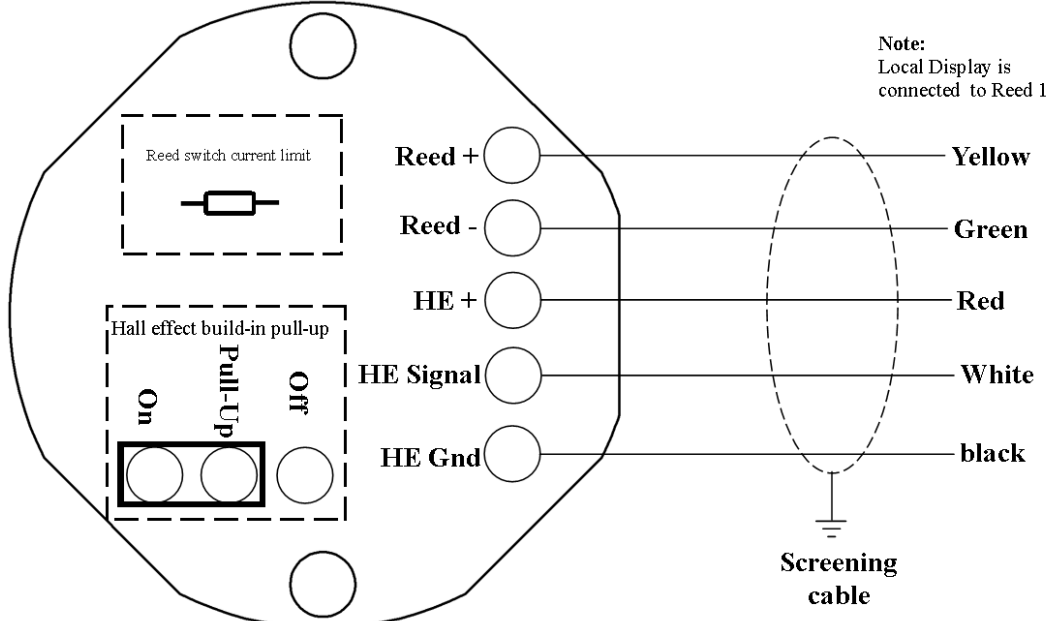
The hall effect sensor is equipped with a 1k8Ω pull-up resistor between signal and supply as standard. This in-built pull-up resistor can be bypassed by moving the jumper pin to the off position if required.

A pull-up resistor of your choosing can be installed between signal and supply, provided the in-built pull-up resistor be bypassed first.

PCB with Terminal Block

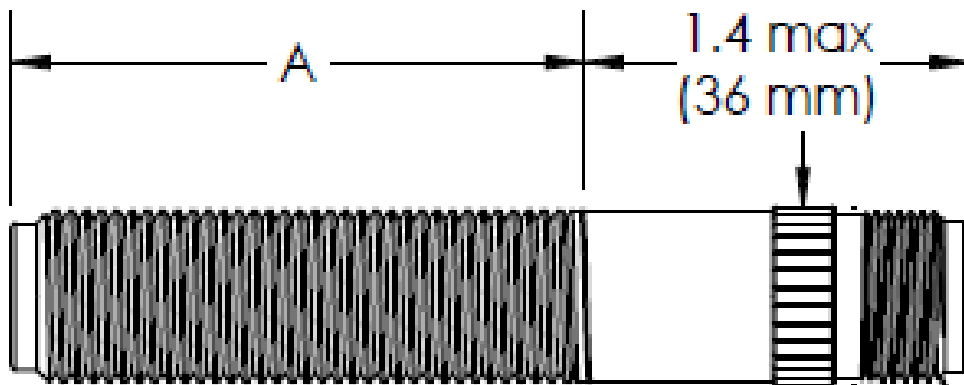
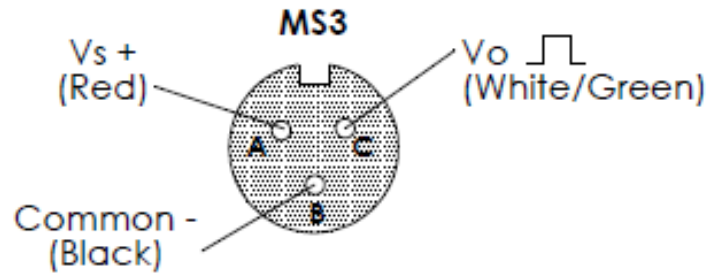


PCB with Soldered Wire



Pulser Specifications

SENSOR TYPE	OMNI POLAR	NPN
SPECIFICATIONS	Construction	Stainless Steel Housing
	Operating Voltage	4.5 to 30V DC
	Maximum Supply Current	18mA
	Temperature Range	-40 - 150°C -40 - 302°F



TROUBLESHOOTING GUIDE

Problem	Cause	Remedy
Fluid will not flow through meter	<ul style="list-style-type: none"> a) Foreign matter blocking rotors b) Line strainer blocked c) Damaged rotors d) Meter connections over tightened e) Fluid is too viscous 	<ul style="list-style-type: none"> a) Dismantle meter, clean rotors (strainer must be fitted in line) b) Clean strainer c) Replace rotors (Strainer must be fitted in line) d) Re-adjust connections e) See specifications for maximum viscosity
Reduced flow through meter	<ul style="list-style-type: none"> a) Strainer is partially blocked b) Fluid is too viscous 	<ul style="list-style-type: none"> a) Clean strainer b) See specifications for maximum viscosity
Meter reading inaccurate	<ul style="list-style-type: none"> a) Fluid flow rate is too high or too low b) Air in fluid c) Excess wear caused by incorrect installation 	<ul style="list-style-type: none"> a) See specifications for minimum and maximum flow rates b) Bleed air from system c) Check meter body and rotors. Replace as required. Refer to installation instructions
Meter not giving a pulse signal	<ul style="list-style-type: none"> a) Faulty hall effect sensor b) Faulty reed switch c) Magnets failed 	<ul style="list-style-type: none"> a) Replace PCB Board b) Replace PCB Board c) Replace magnets
LCD register not working	<ul style="list-style-type: none"> a) Battery not connected properly b) Battery flat c) Faulty wiring connections d) Faulty LC Display e) Faulty connection from LC Display 	<ul style="list-style-type: none"> a) Check battery connections b) Replace battery c) Check wiring for loose or faulty connections d) Replace LC Display e) Check wiring connections

MAINTAINENCE VIDEOS

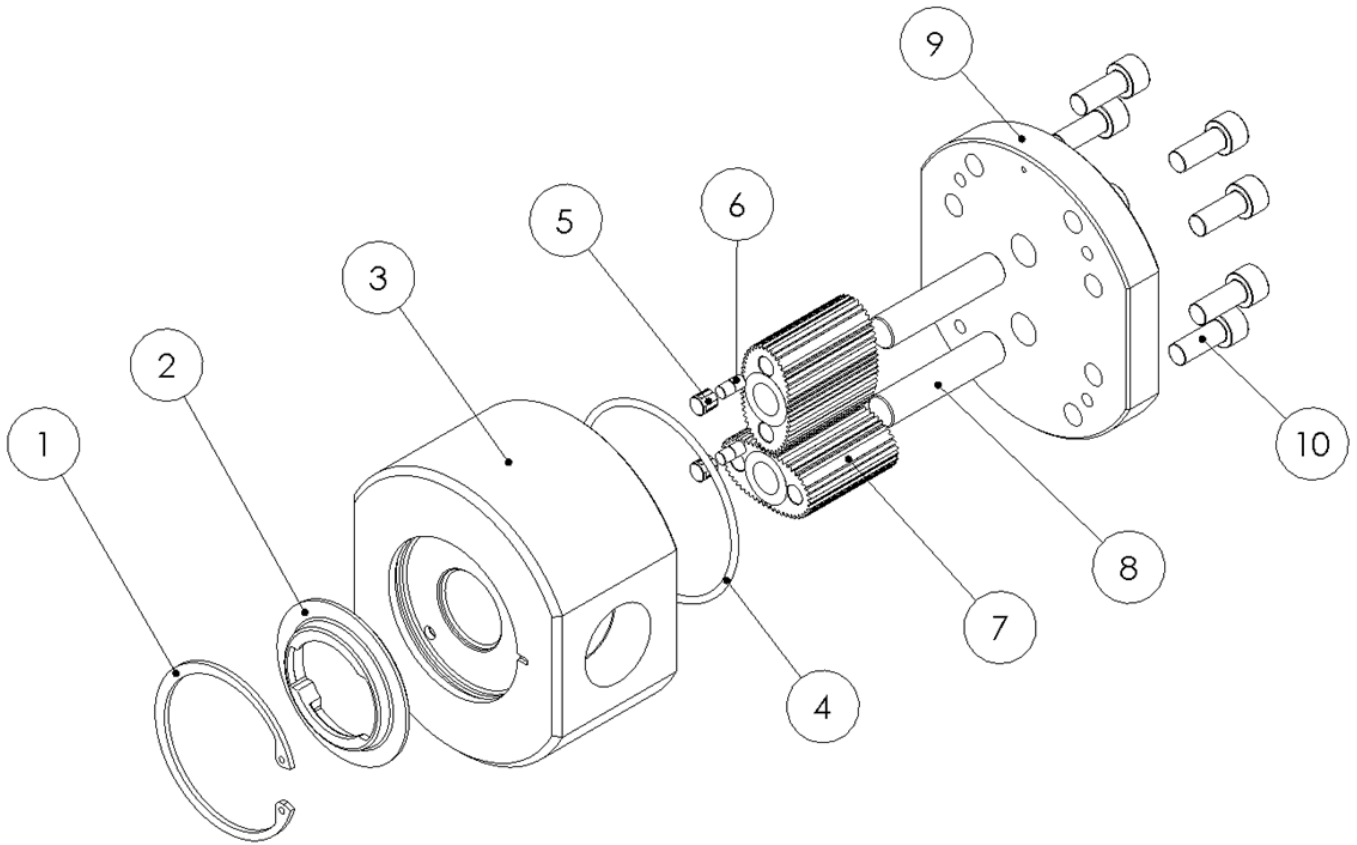
Macnaught provides an comprehensive set of 'Maintenance Videos' to assist the end user in all aspects of service and/or repair of the Flowmeter range.

This web based resource can be accessed via the following URL

http://www.macnaught.com.au/mx_resources

Or by scanning the QR code below.

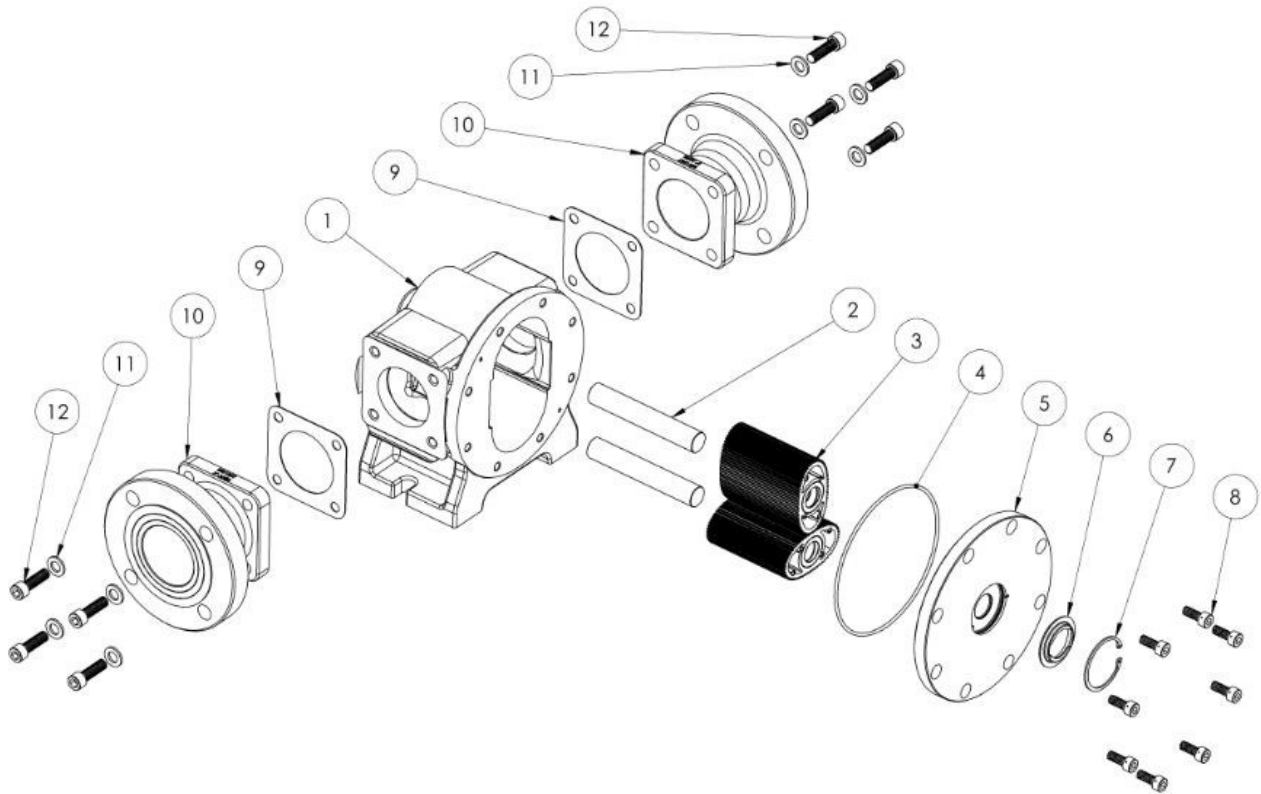




PARTS IDENTIFICATION

METER COMPONENTS	ITEM NO.
CIRCLIP	1
CAM	2
METER BODY	3
METER CAP O-RING	4
MAGNET HOUSING	5
MAGNETS	6
ROTORS	7
ROTOR SHAFTS	8
METER CAP	9
METER CAP SCREWS	10

EXPLODED DIAGRAM models MX75-MX100



PARTS IDENTIFICATION

PART DESCRIPTION	Item No.
Meter Body	1
Rotor Shafts	2
Rotors	3
Meter Cap O-Ring	4
Meter Cap	5
Cam	6
Circlip	7
Meter Cap Bolts	8
Flange Seals	9
Process Connection (Flanged or Threaded)	10
Flange Washers	11
Flange Bolts	12

METER TORQUE

Meter Torque Ratings			
Series	Pressure (psi)	Torque (Nm)	Lubrication -
MX06	1000	6.5 Nm	Yes
MX09	1000		
MX12	2000		
MX19	2000	15 Nm	Yes
MX25	2000		
MX40	1500	33 Nm	Yes
MX50	1200		
MX75	175		
MX100	175		

SPARE PARTS KITS

Spare Kit options, for both Flowmeter and Display/Pulser modules, are available as replacement components.

- **Pulser Kit / LC Display Module**
 - Replacement PCB complete with electronic housing.
 - LC Display module (Electronic housing not included)
- **Rotor Kit**
 - Rotor assembly (includes Meter Cap bolts and O-Ring)
- **Seal Kit**
 - O-Rings/Gaskets (includes Meter Cap Bolts)

SPARE KITS – DISPLAY AND PULSER MODULE

Output Type	Description	Pulser Kit	Display Module only	Display/Pulser complete
Type A	Standard Pulser			MXD-AS
Type D	PR Digital Register	MXS-PCB-PR	MXS-DIS-PR	MXD-DS
Type E	PRA Digital Register	MXS-PCB-PR	MXS-DIS-PRA	MXD-ES
Type F	ER Digital Register	MXS-PCB-ER	MXS-DIS-ER	MXD-FS
Type G	ERA Digital Register	MXS-PCB-ER	MXS-DIS-ERA	MXD-GS
Type H	ERB Batch Controller	MXS-PCB-ER	MXS-DIS-ERB	MXD-HS
Type T	High Temperature			MXD-TS

SPARE PARTS KITS

spare kits Series MX06		MX06F	MX06S	MX06P
ROTOR KIT	<i>Standard</i>	MXS06F-rotor	MXS06S-rotor	MXS06P-rotor
	<i>High Temp</i>			MXS06P-HTrotor
SEAL KIT		MXS06F-seal	MXS06S-seal	MXS06P-seal

spare kits Series MX09		MX09F	MX09S	MX09P
ROTOR KIT	<i>Standard</i>	MXS09F-rotor	MXS09S-rotor	MXS09P-rotor
	<i>High Viscosity</i>		MXS09S-HVrotor	MXS09P-HVrotor
	<i>High Temp</i>			MXS09P-HTrotor
SEAL KIT		MXS09F-seal	MXS09S-seal	MXS09P-seal

spare kits Series MX12		MX12F	MX12S	MX12P
ROTOR KIT	<i>Standard</i>	MXS12F-rotor	MXS12S-rotor	MXS12P-rotor
	<i>High Viscosity</i>		MXS12S-HVrotor	MXS12P-HVrotor
	<i>High Temp</i>			MXS12P-HTrotor
SEAL KIT		MXS12F-seal	MXS12S-seal	MXS12P-seal

spare kits Series MX19		MX19F	MX19S	MX19P
ROTOR KIT	<i>Standard</i>	MXS19F-rotor	MXS19S-rotor	MXS19P-rotor
	<i>High Viscosity</i>		MXS19S-HVrotor	MXS19P-HVrotor
	<i>High Temp</i>			MXS19P-HTrotor
SEAL KIT		MXS19F-seal	MXS19S-seal	MXS19P-seal

spare kits Series MX25		MX25F	MX25S	MX25P
ROTOR KIT	<i>Standard</i>	MXS25F-rotor	MXS25S-rotor	MXS25P-rotor
	<i>High Viscosity</i>		MXS25S-HVrotor	MXS25P-HVrotor
	<i>High Temp</i>			MXS25P-HTrotor
SEAL KIT		MXS25F-seal	MXS25S-seal	MXS25P-seal

SPARE PARTS KITS

spare kits Series MX40		MX40F	MX40S	MX40P
ROTOR KIT	<i>Standard</i>	MXS40F-rotor	MXS40S-rotor	MXS40P-rotor
	<i>High Viscosity</i>		MXS40S-HVrotor	MXS40P-HVrotor
	<i>High Temp</i>			MXS40P-HTrotor
SEAL KIT		MXS40F-seal	MXS40S-seal	MXS40P-seal

spare kits Series MX50		MX50F	MX50S	MX50P
ROTOR KIT	<i>Standard</i>	MXS50F-rotor	MXS50S-rotor	MXS50P-rotor
	<i>High Viscosity</i>		MXS50S-HVrotor	MXS50P-HVrotor
	<i>High Temp</i>			MXS50P-HTrotor
SEAL KIT		MXS50F-seal	MXS50S-seal	MXS50P-seal

spare kits Series MX75		MX75F	MX75S	MX75P
ROTOR KIT	<i>Standard</i>	MXS75F-rotor	MXS75S-rotor	MXS75P-rotor
	<i>High Viscosity</i>		MXS75S-HVrotor	MXS75P-HVrotor
	<i>High Temp</i>			MXS75P-HTrotor
SEAL KIT		MXS75F-seal	MXS75S-seal	MXS75P-seal

spare kits Series MX100		MX100F	MX100S
ROTOR KIT	<i>Standard</i>	MXS100F-rotor	MXS100S-rotor
			MXS100S-HVrotor
SEAL KIT		MXS100F-seal	MXS100S-seal

Display Register spare kits		Display Type 'D' 'E'	Display type 'F' 'G' 'H'
BATTERY KIT		DR012S	MS493S

WETTED PARTS

Wetted parts series MX06	MX06F	MX06S	MX06P
METER BODY	Alum	Alum	St.St
METER CAP	Alum	Alum	St.St
ROTORS Standard	PPS	St.St	PPS
High Temp			St. St
ROTOR SHAFTS	St.St	St.St	St.St
ROTOR BUSHES		CA	CA
O-RINGS	FKM	K	K

Wetted parts series MX09	MX09F	MX09S	MX09P
METER BODY	Alum	Alum	St.St
METER CAP	Alum	Alum	St.St
ROTORS Standard	PPS	St.St	PPS
High Viscosity		St.St.	St.St
High Temp			St. St
ROTOR SHAFTS	St.St	St.St	St.St
ROTOR BUSHES		CA	CA
O-RINGS	FKM	K	K

Wetted parts series MX12	MX12F	MX12S	MX12P
METER BODY	Alum	Alum	St.St
METER CAP	Alum	Alum	St.St
ROTORS - Standard	PPS	St.St	PPS
High Viscosity		St.St.	St.St
High Temp			St. St
ROTOR SHAFTS	St.St	St.St	St.St
ROTOR BUSHES		CA	CA
O-RINGS	FKM	K	K

WETTED PARTS

Wetted parts series MX19	MX19F	MX19S	MX19P
METER BODY	Alum	Alum	St.St
METER CAP	Alum	Alum	St.St
ROTORS - Standard	PPS	St.St	PPS
High Viscosity		St.St.	St.St
High Temp			St. St
ROTOR SHAFTS	St.St	St.St	St.St
ROTOR BUSHES		CA	CA
O-RINGS	FKM	K	K

Wetted parts series MX25	MX25F	MX25S	MX25P
METER BODY	Alum	Alum	St.St
METER CAP	Alum	Alum	St.St
ROTORS - Standard	PPS	St.St	PPS
High Viscosity		St.St.	St.St
High Temp			St. St
ROTOR SHAFTS	St.St	St.St	St.St
ROTOR BUSHES		CA	CA
O-RINGS	FKM	K	K

Wetted parts series MX40	MX40F	MX40S	MX40P
METER BODY	Alum	Alum	St.St
METER CAP	Alum	Alum	St.St
ROTORS - Standard	PPS	Alum	PPS
High Viscosity		Alum	St.St
High Temp			St. St
ROTOR SHAFTS	St.St	St.St	St.St
ROTOR BUSHES		CA	CA
O-RINGS	FKM	K	K

WETTED PARTS

Wetted parts series MX50	MX50F	MX50S	MX50P
METER BODY	Alum	Alum	St.St
METER CAP	Alum	Alum	St.St
ROTORS - Standard	PPS	Alum	PPS
High Viscosity		Alum	St.St
High Temp			St. St
ROTOR SHAFTS	St.St	St.St	St.St
ROTOR BUSHES		CA	CA
O-RINGS	FKM	K	K

Wetted parts series MX75	MX75F	MX75S	MX75P
METER BODY	Alum	Alum	St.St
METER CAP	Alum	Alum	St.St
ROTORS - Standard	Alum	Alum	St.St
High Viscosity		Alum	
ROTOR SHAFTS	St.St	St.St	St.St
ROTOR BUSHES	CA	CA	CA
O-RINGS	FKM	K	K

Wetted parts series MX100	MX100F	MX100S
METER BODY	Alum	Alum
METER CAP	Alum	Alum
ROTORS - Standard	Alum	Alum
High Viscosity		Alum
ROTOR SHAFTS	St.St	St.St
ROTOR BUSHES	CA	CA
O-RINGS	FKM	K

WETTED PARTS

K - FEP/PTFE Encapsulated

SS - Stainless Steel 316

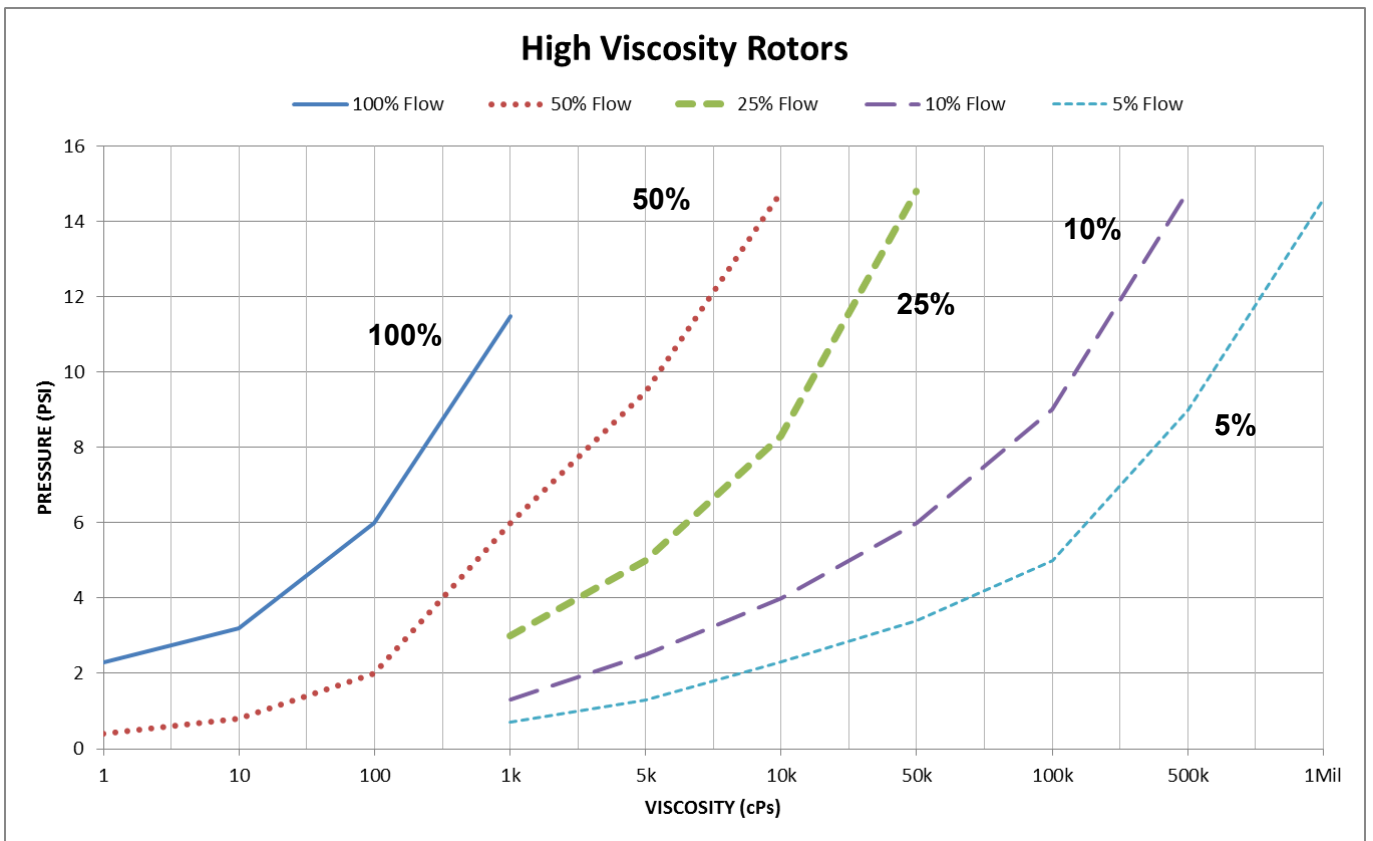
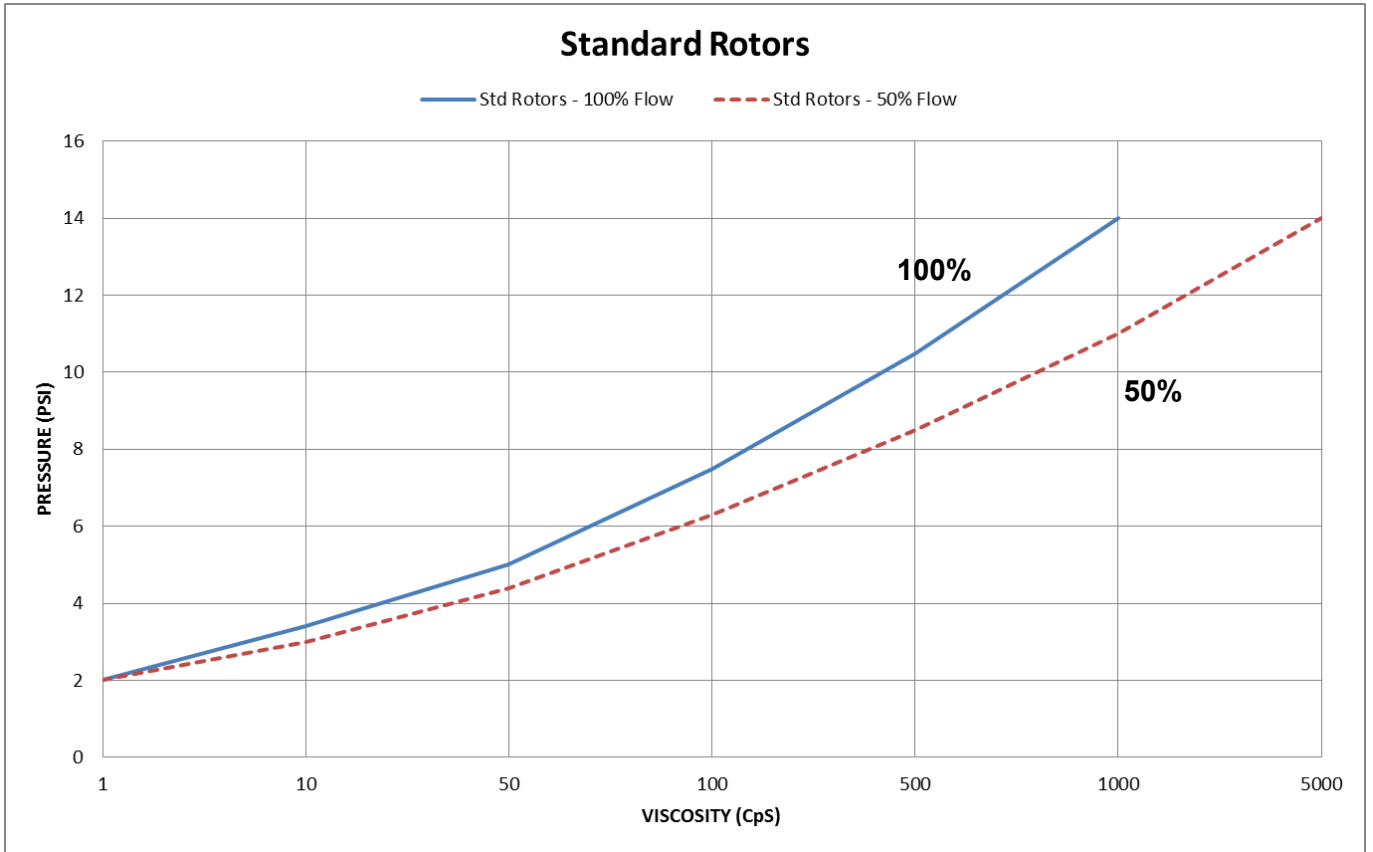
Al - Aluminium AA610

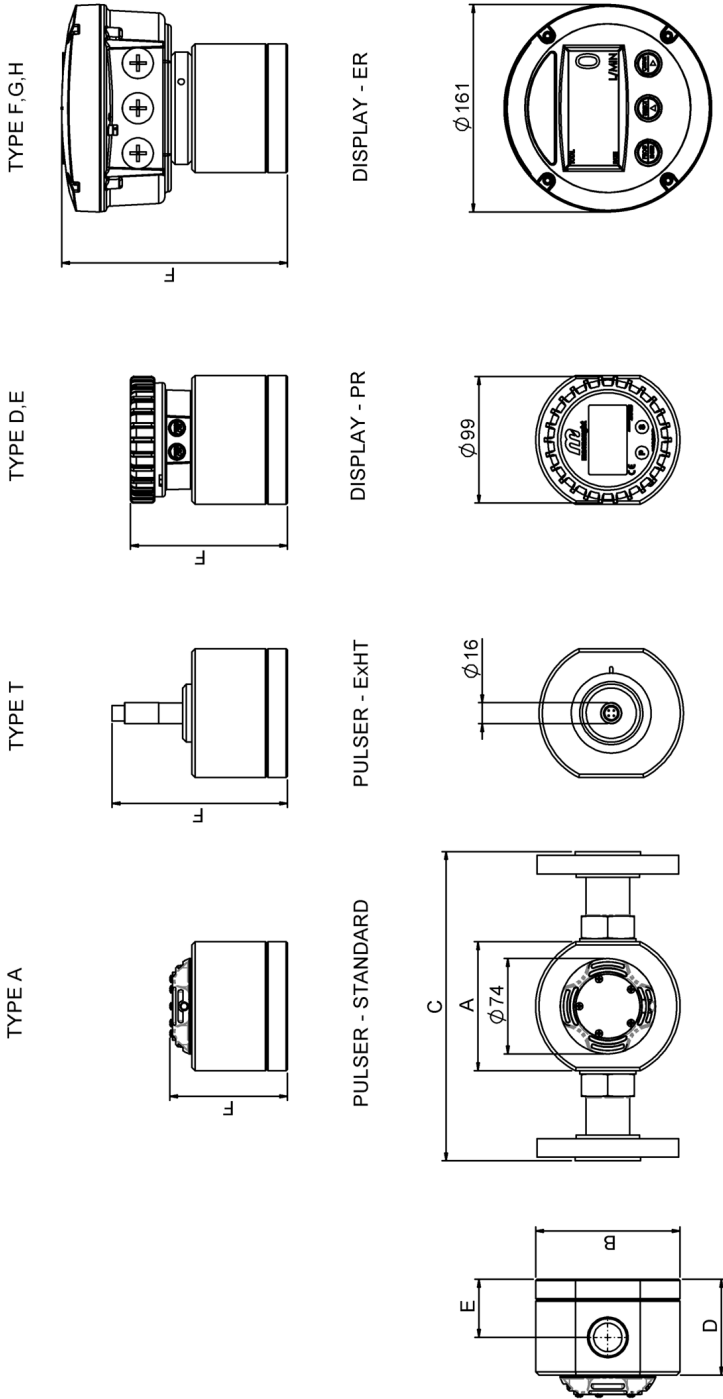
CA - Carbon

FKM - Viton[®]

PPS - Polyphenylene Sulphide (PPS Resin)

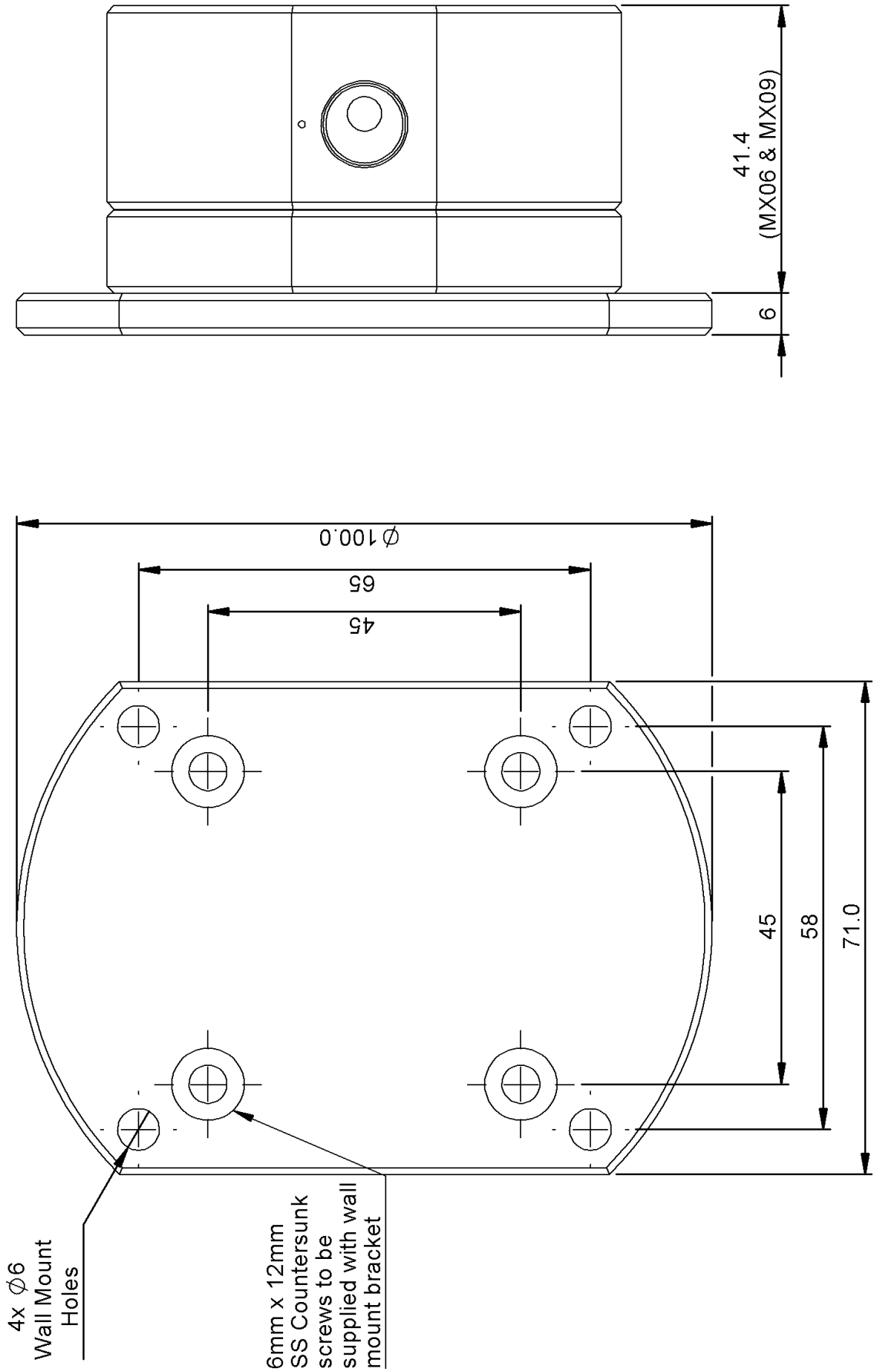
PRESSURE DROP v VISCOSITY



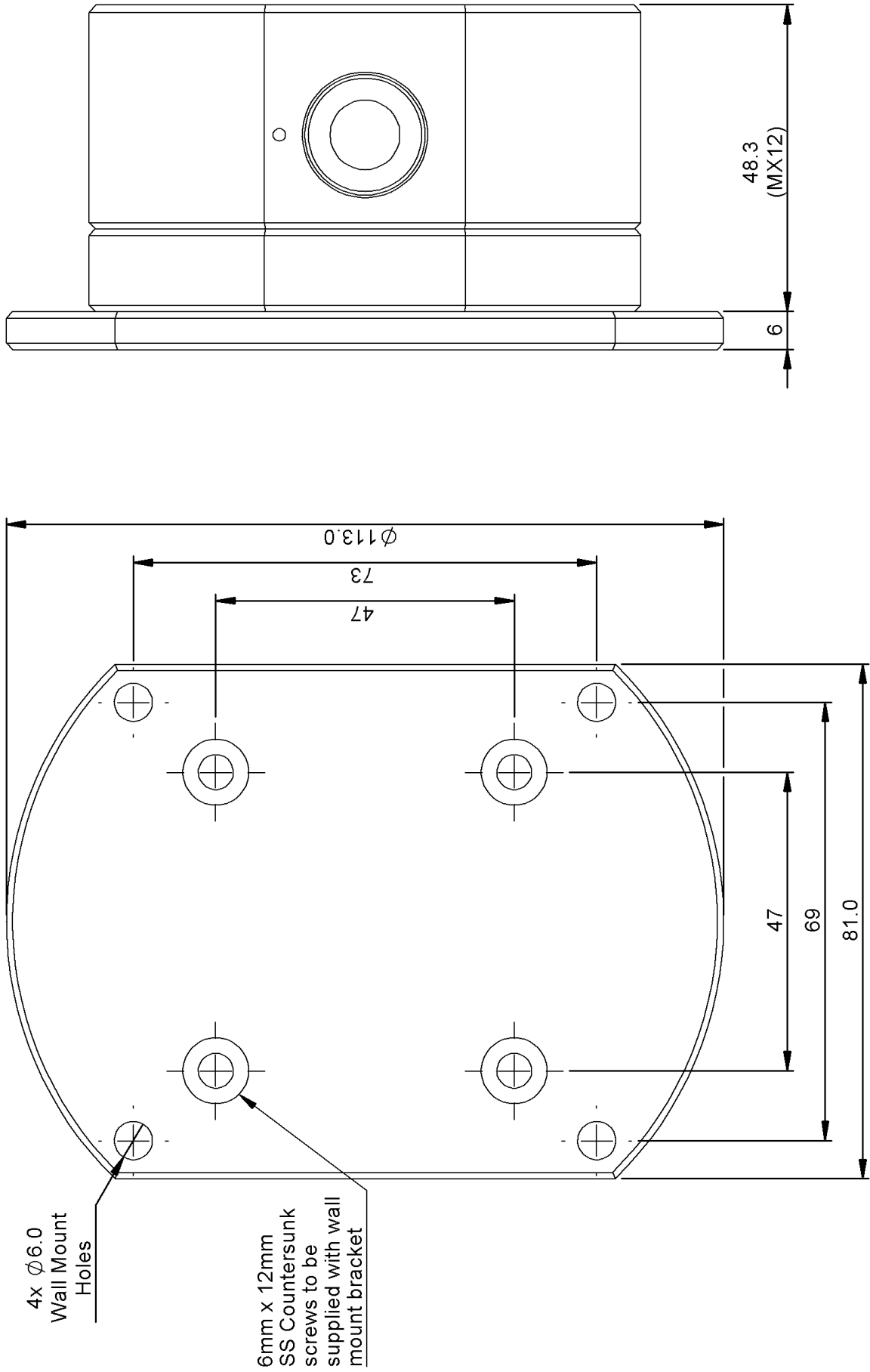


		METER and FLANGE DIMENSIONS					PULSER and DIGITAL DISPLAY HEIGHTS (dimension F)				
Model	Port Size	A	B	C	D	E	TYPE A	TYPE T	TYPE D, E	TYPE F, G, H	
MX06	1/4"	71	74	-	42	25	59	104	90	143	
MX09	1/4"	71	74	-	42	25	59	104	90	143	
MX12	1/2"	81	87	-	49	28	66	111	97	150	
MX19	3/4"	100	112	-	62	37	79	124	110	163	
MX25	1"	100	112	240	75	45	92	137	123	176	
MX40	1 1/2"	120	137	240	103	61	120	165	151	204	
MX50	2"	140	163	264	124	72	141	186	172	225	

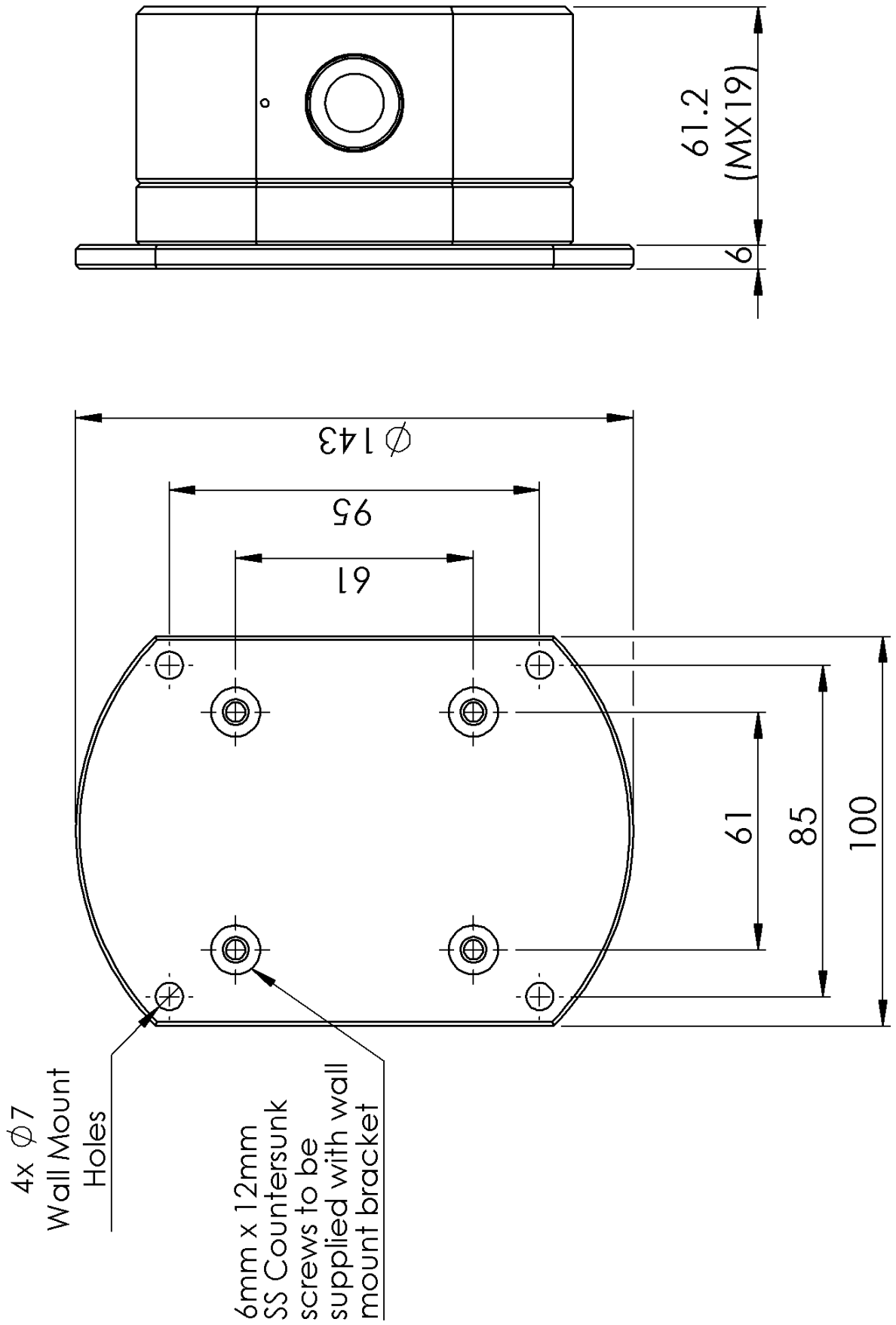
Aluminium Wall Mount bracket to suit model MX06-MX09



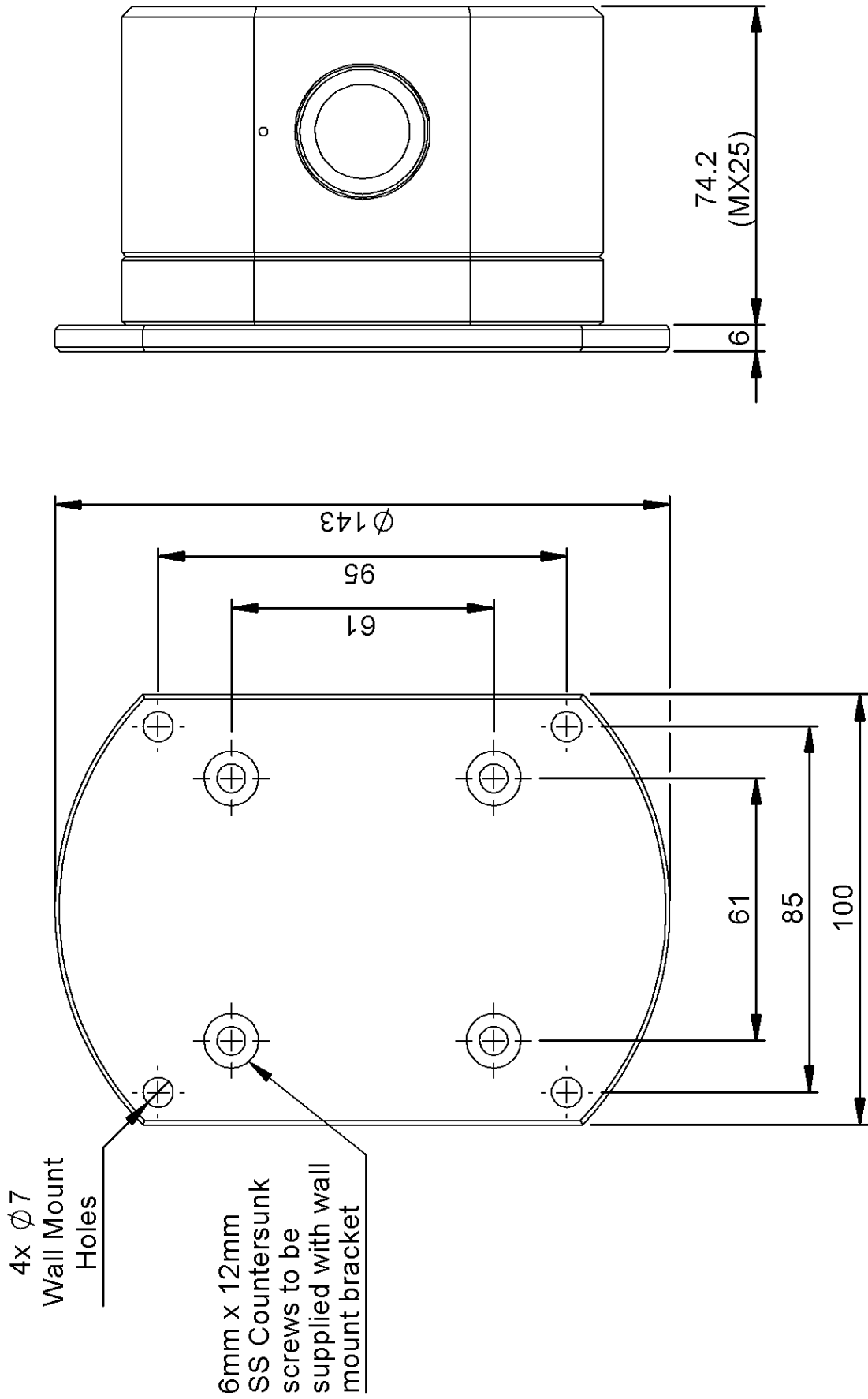
Aluminium Wall Mount bracket to suit model MX12

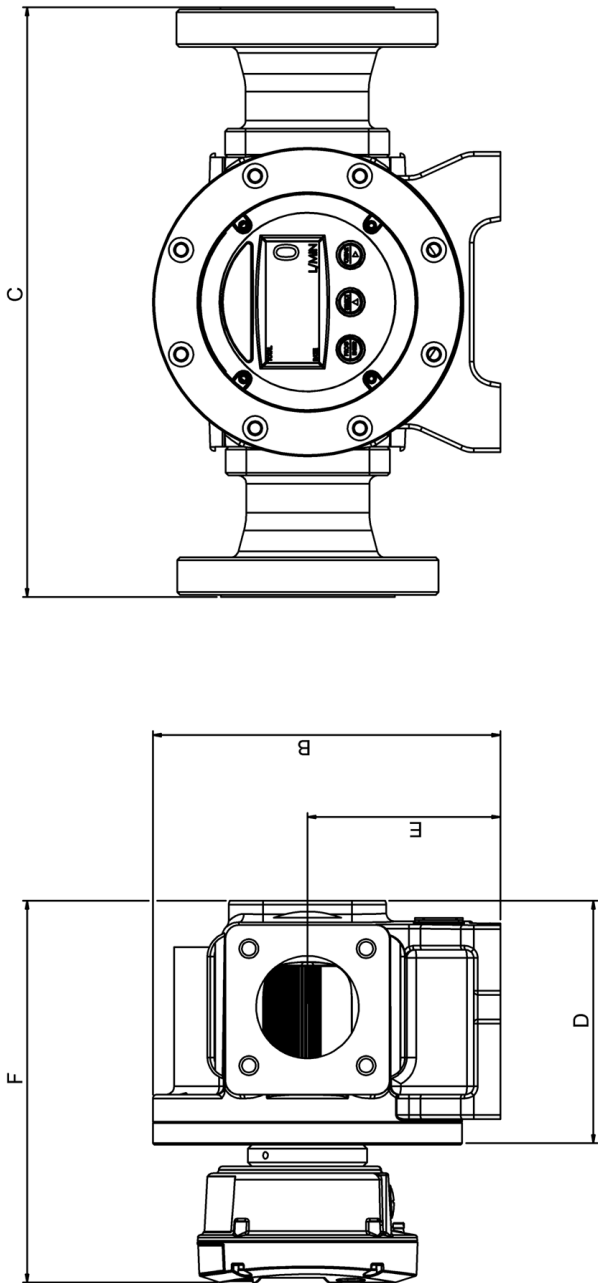


Aluminium Wall Mount bracket to suit model MX19



Aluminium Wall Mount bracket to suit model MX25

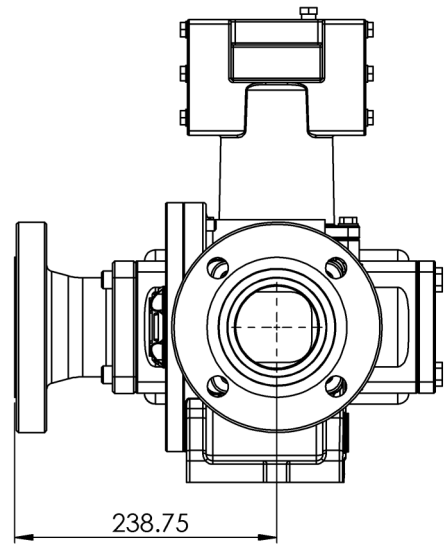
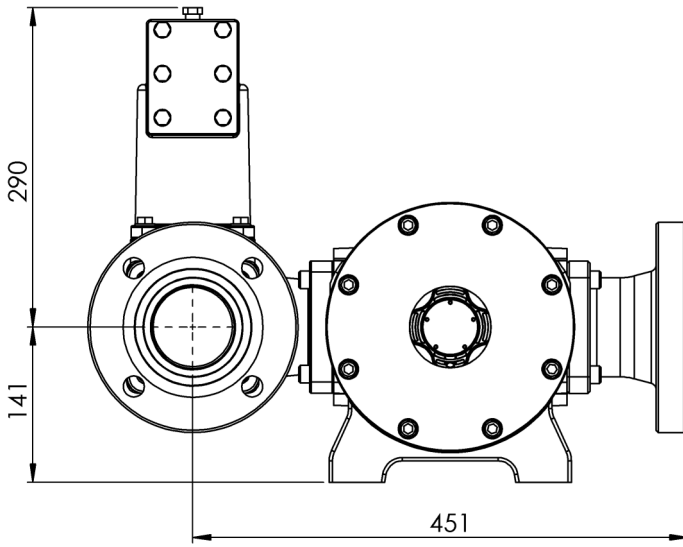




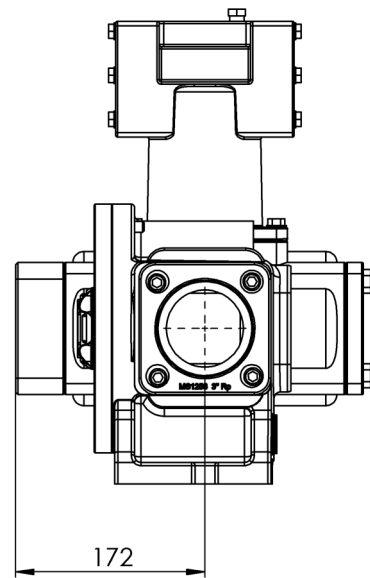
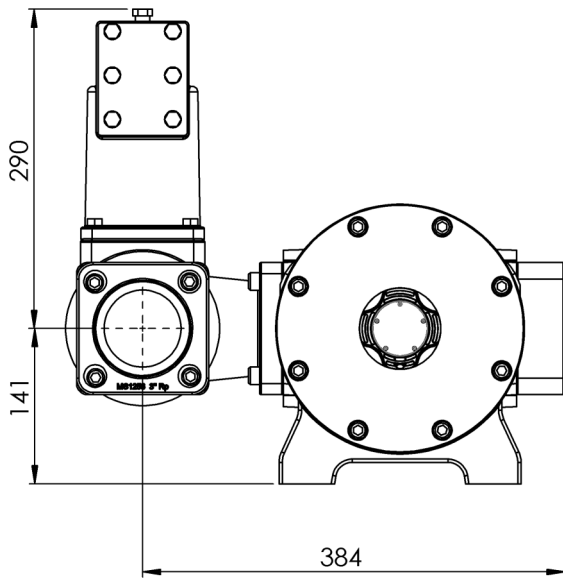
MX75

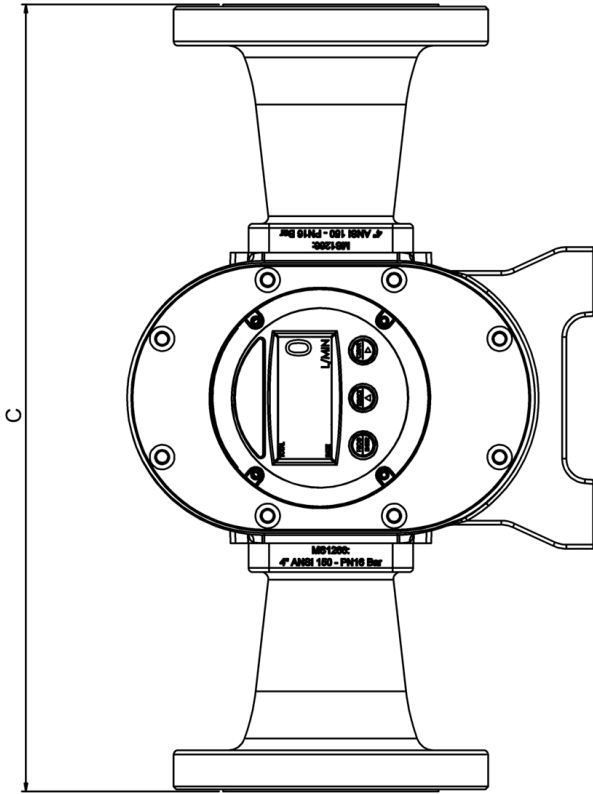
		METER and FLANGE DIMENSIONS					PULSER and DIGITAL DISPLAY HEIGHTS (dimension F)				
Model	FLANGE TYPE	PORT SIZE	B	C	D	E	TYPE A	TYPE T	TYPE D, E	TYPE F, G, H	
MX075 Aluminium	ANSI	3"	254	435	179	141	196	241	227	280	
	DIN			435							
	JIS			435							
	Rp			301							
	NPT			301							
MX075 Stainless Steel	ANSI	3"	254	344	179	141	196	241	227	280	
	DIN			340							
	JIS			340							
	Rp			256							
	NPT			256							

3" Flange

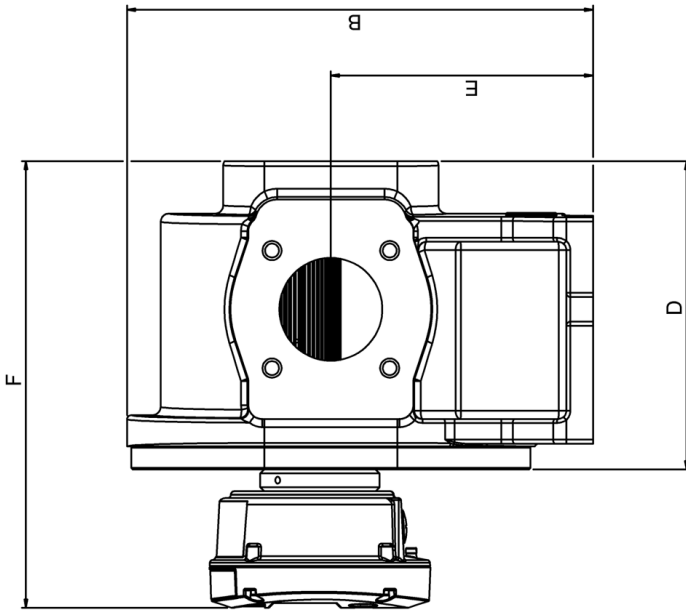


3" Threaded Connection



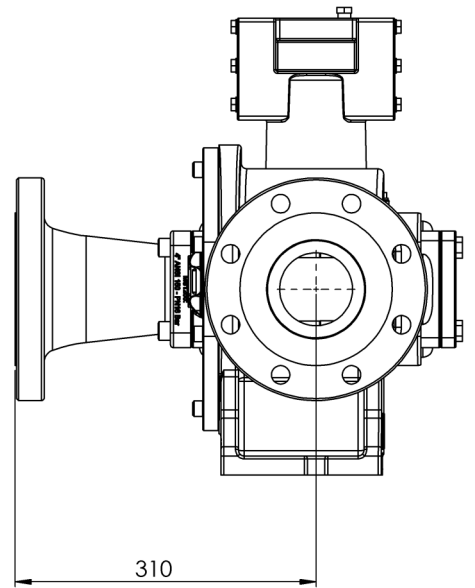
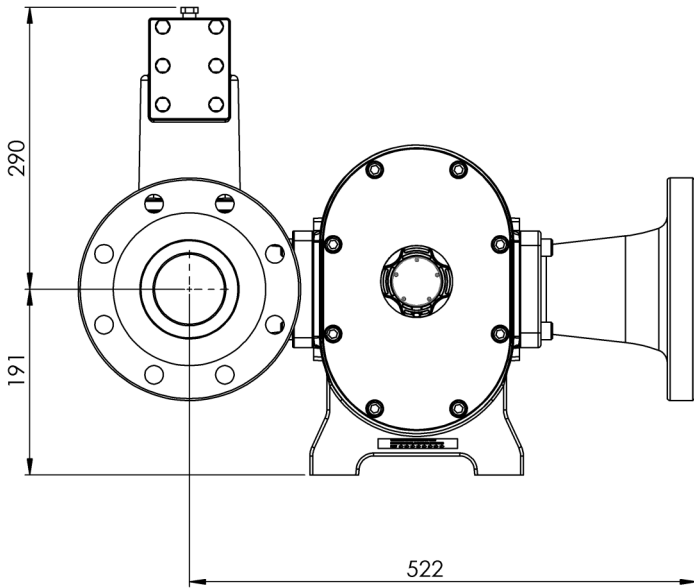


MX100

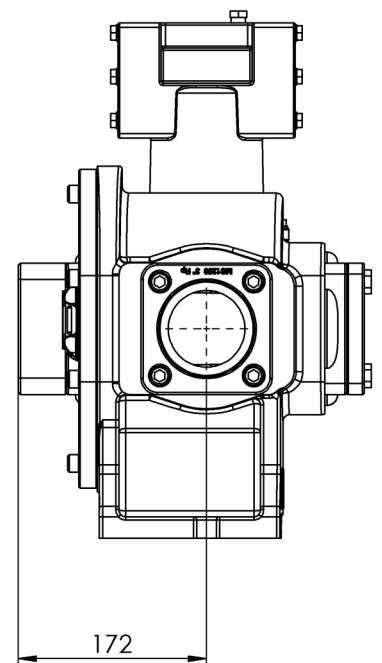
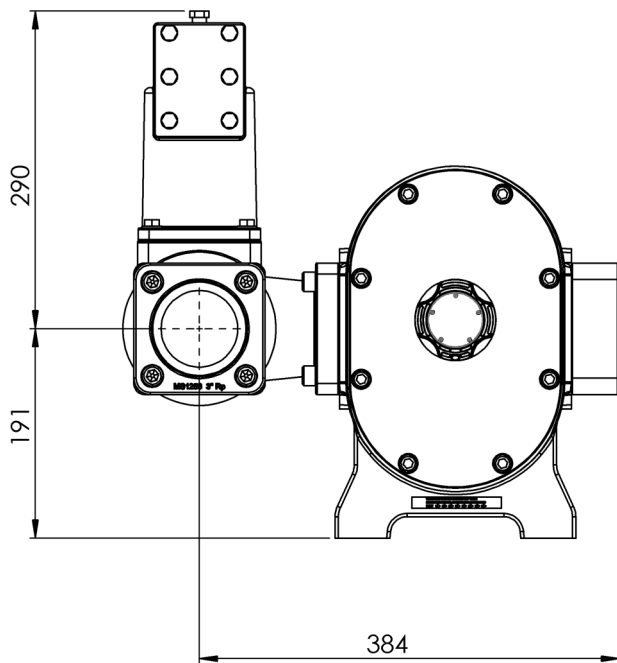


		METER and FLANGE DIMENSIONS					PULSER and DIGITAL DISPLAY HEIGHTS (dimension F)			
MODEL	FLANGE TYPE	PORT SIZE	B	C	D	E	TYPE A	TYPE T	TYPE D, E	TYPE F, G, H
MX100 Aluminium	ANSI	4"	340	583	225	191	242	287	273	326
	DIN			583						
	JIS	583								
	Rp	301								
	NPT	301								

4" Flange



3" Threaded Connection



WEEE Directive - Waste Electrical and Electronic Equipment



The WEEE Directive requires the recycling of waste electrical and electronic equipment in the European Union.

Whilst the WEEE Directive does not apply to some of Macnaught's products, we support its policy and ask you to be aware of how to dispose of this product.

The crossed out wheeled bin symbol illustrated and found on our products signifies that this product should not be disposed of in general waste or landfill.

Please contact your local dealer national distributor or Macnaught Technical Services for information on product disposal.



Macnaught Pty Limited

ABN 66 000 075 785

41-49 Henderson Street
Turrella NSW 2205 Sydney Australia
Postal Address PO Box 90
Amcliffe NSW 2205 Sydney Australia

T: +61 2 9567 0401

F: +61 2 9597 7773

W: www.macnaught.com.au